

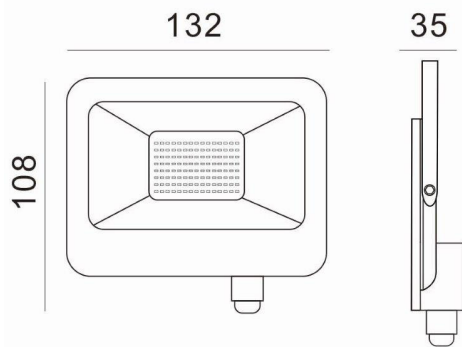


LAMPO_EVO_CCT

Ω HOME GA
ILLUMINAZIONE

Black LED Floodlight
Die-cast aluminium body
Frosted glass diffuser
Built-in driver.

Code	41931
Finishing	Nero - Black
Beam	120 °
Watt	30
Colour temperature	3000/4000/6000 °K
Volt	220-240V
Hz	50/60Hz Hz
Lumen	2550/2700/2610
CRI	>80
Power factor	>0,9
Length	132x108x35 mm
Isolation class	Cl.1
IP Protection	IP65
Dimensions	190x132x18 mm
IK	08
Weight	0.255 Kg
Pack	20



Via Guardia del Consiglio, 29 - 47899 Serravalle - Rep. San Marino
Tel. +378 0549 901188 - Fax +378 0549 900612
marinocristal@marinocristal.com - www.marinocristal.com